

**we  
are  
arco**

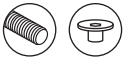
**we  
make  
tables**

product  
**Balance 2**

designer  
**Arnold  
Merckx**

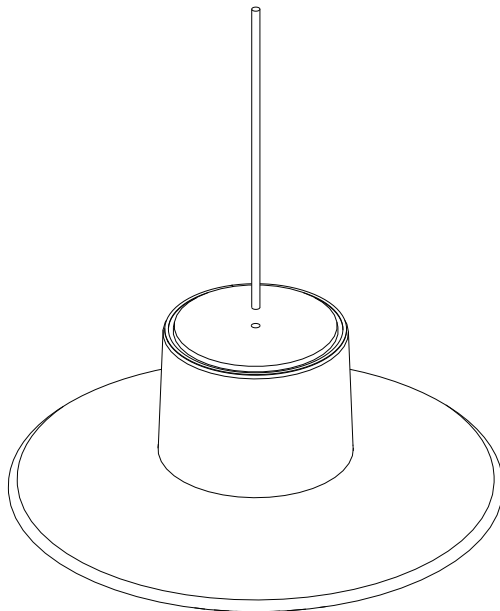
year  
**1988**

Assembly instructions: please follow step 1 - 11.



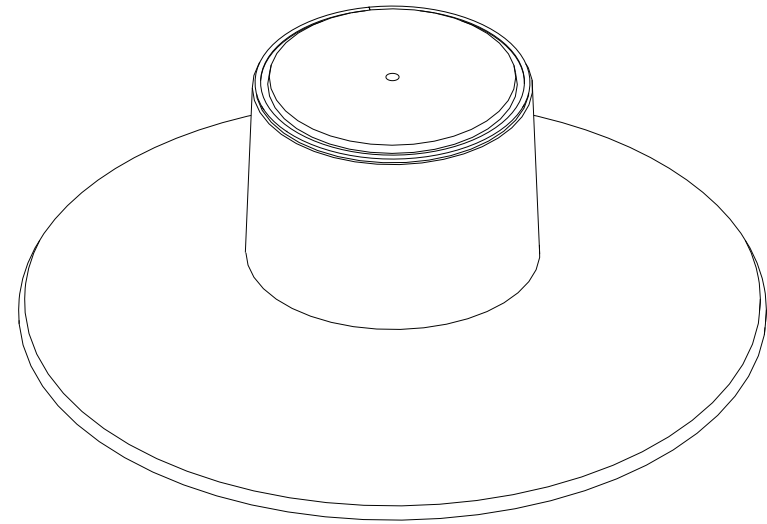
arco

②



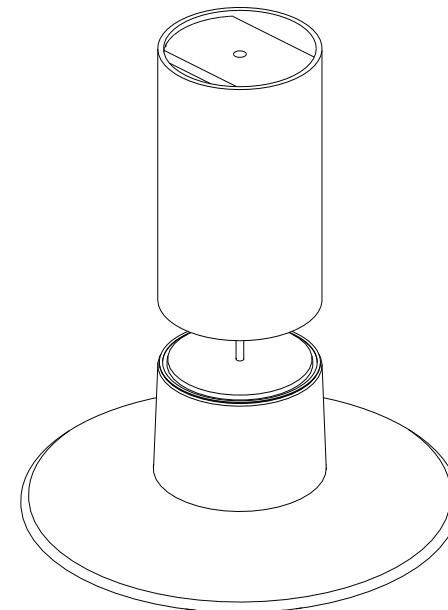
Screw the threaded rod in the base

①



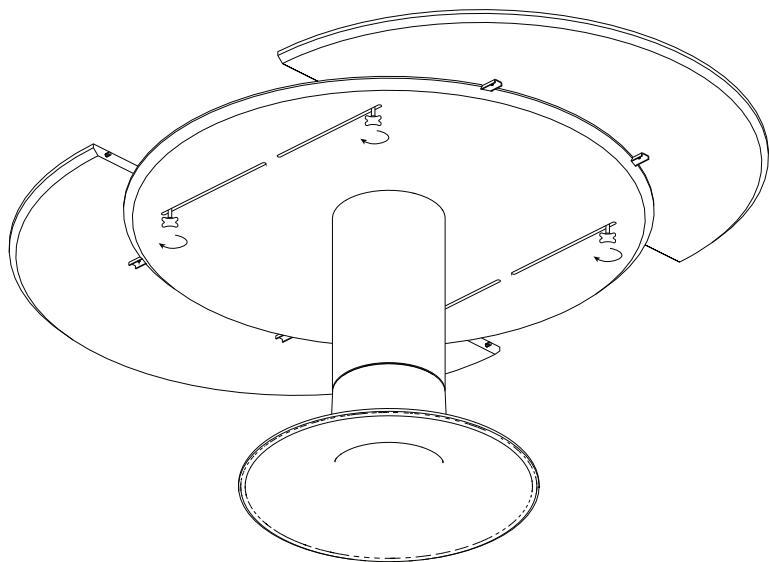
Place the base in the right spot

③



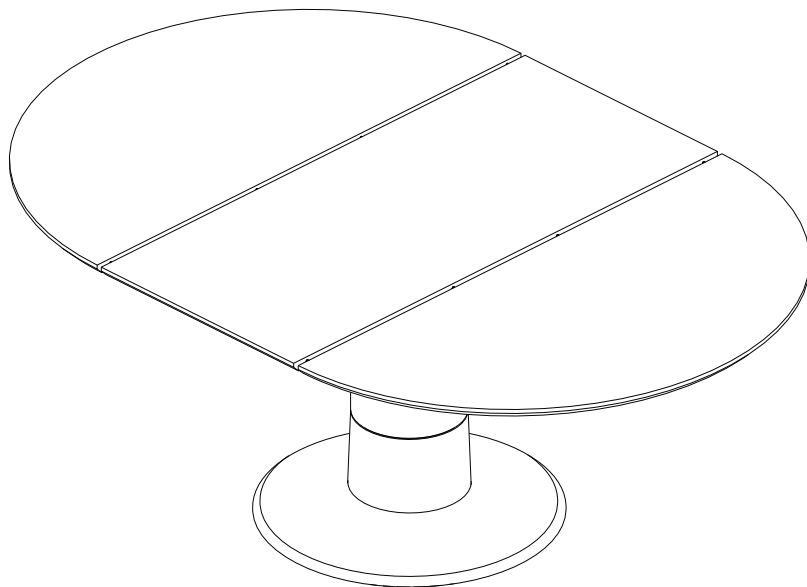
Place the wooden column over the threaded rod

4



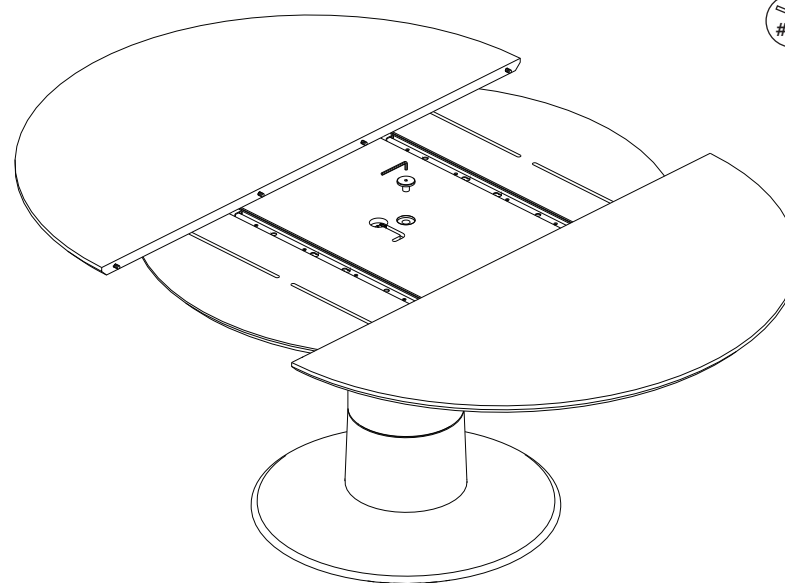
Place the tabletop on the column, unlock the tabletop from the substructure so the center is shown

6



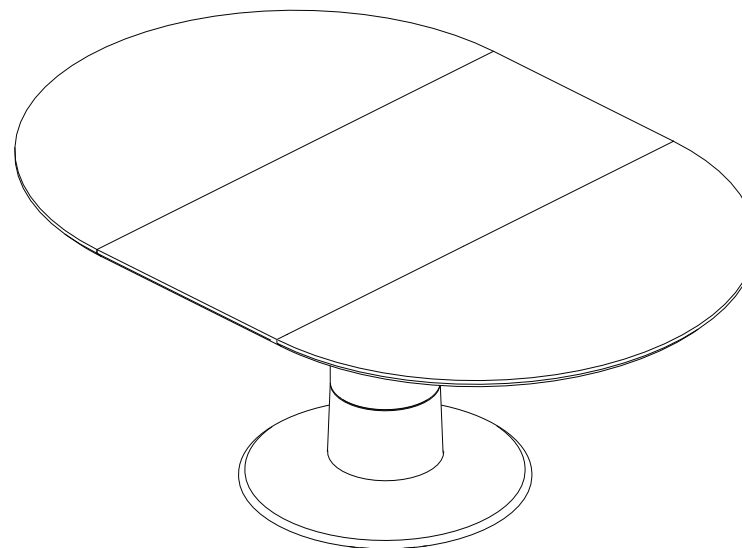
Place the extra tabletop between the two halve circles

5



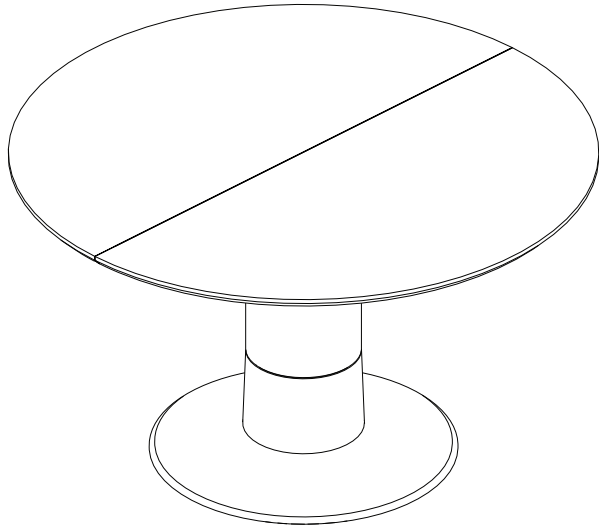
Assemble the substructure to the column with the provided allen key

7



Push them together and tighten the locking mechanism on the bottom

8



Reverse step 6 and 7 for a round table

---

**we  
are  
arco**

product  
**Balance 2**

**we  
make  
tables**

designer  
**Arnold  
Merckx**

year  
**1988**

arco

---